

# wattson SOLAR Plus

**Wattson Solar Plus is the only wireless, handheld energy monitor, showing both electricity generated and used in the home**

- Tracks and displays both energy produced and energy used in your home.
- Glows green when you generate more electricity than you use.
- Works with all solar, wind and water generation systems and all brands of inverters.
- Is simple to install and easy to use.



- ABOVE AVERAGE USAGE
- AVERAGE USAGE
- BELOW AVERAGE USAGE
- NET EXPORTING



Wattson Solar Plus is the only monitor that shows how much power you are generating and how much you are using together on the same display. The display shows the electricity in use in your home in Watts or Pounds.

Wattson Solar Plus alerts you when you are generating more power than you are using by immediately glowing green. This means you can maximise the returns on your PV system by using the electricity you need when you are generating excess.

SHOWS ELECTRICITY  
GENERATION AS WELL  
AS USAGE

**Wattson Solar Plus from Energeno is the best and most cost effective solution for the display of electricity generation and usage within the home.**

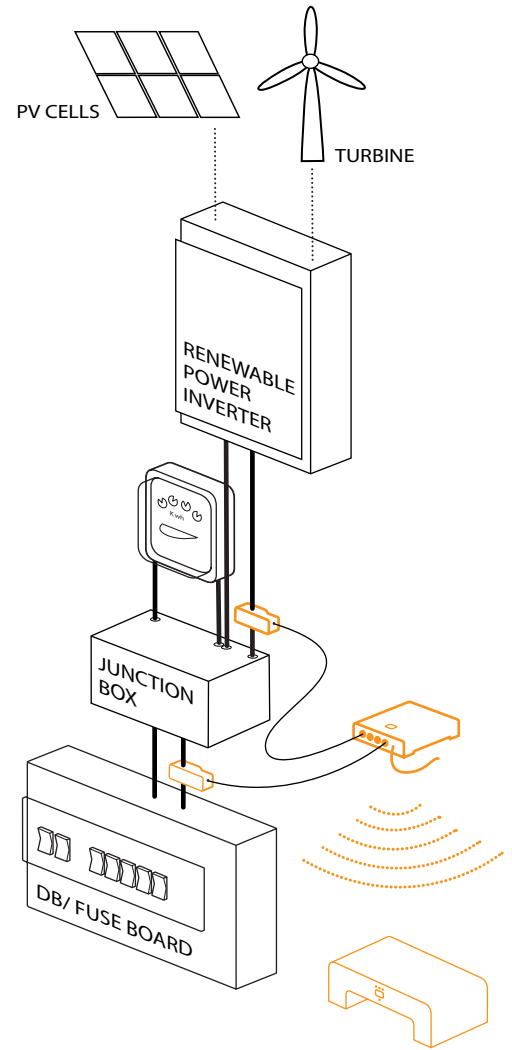
# HOW IT WORKS

Wattson Solar Plus measures the amount of electricity being used in your home at any given time and displays this as cost, watts or kg carbon. It also shows the amount that you are generating, showing this value on an easy-to-read display in both numbers and colours.

Wattson Solar Plus uses sensors that simply clip around the outside of electricity cables to get its power data. The data is then sent wirelessly from the transmitter to the display. The new TXact transmitter (purchased separately) also provides a meter quality measure of generated electricity direct from the gen meter.

It works with 210V-240V single phase or 400V-460V three phase electricity supplies and uses flexible tariff structures to suit most pricing plans and feed-in-tariffs.

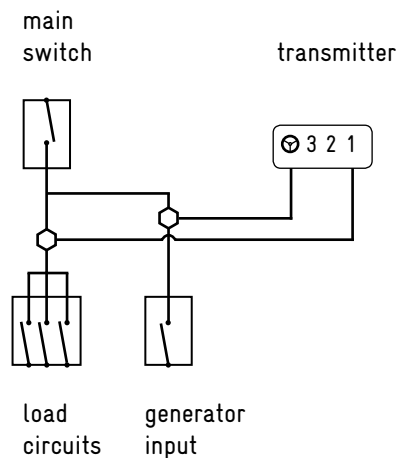
The instruction manuals and more Frequently Asked Questions can be found at [www.wattsonsolar.com](http://www.wattsonsolar.com).



# TECHNICAL SPECIFICATIONS

FEATURES	SOLAR	
Phases measured	Single phase with inverter input	
Cable diameter	12.5mm	
Max power/current	11.5kW/50Amp per phase	
Customer warranty	5 YEAR GUARANTEE	
Transmitter/receiver	433.92Mhz transmitter receiver, approx. 30m range in buildings	
Refresh rate	3 - 20 seconds user changeable	
Transmitter power	DC power also optional battery power	
USB	1.0 compatible USB-A to USB mini-A cable supplied	
Currency display	£, \$, €, R, P, k, F	
Software compatible	Mac & PC	
Packaged weight (g)	1150	
Carton contents	12 units	
Approvals across all models	EN 61558-1:2005 EN 300-220-2 V2.3.1 EN 301 489-1 V1.9.2 EN 61326-1:2006 EN 61326-2-2:2006	EN 61010-1:2010 C-tick N23217 CE RoHS WEEE

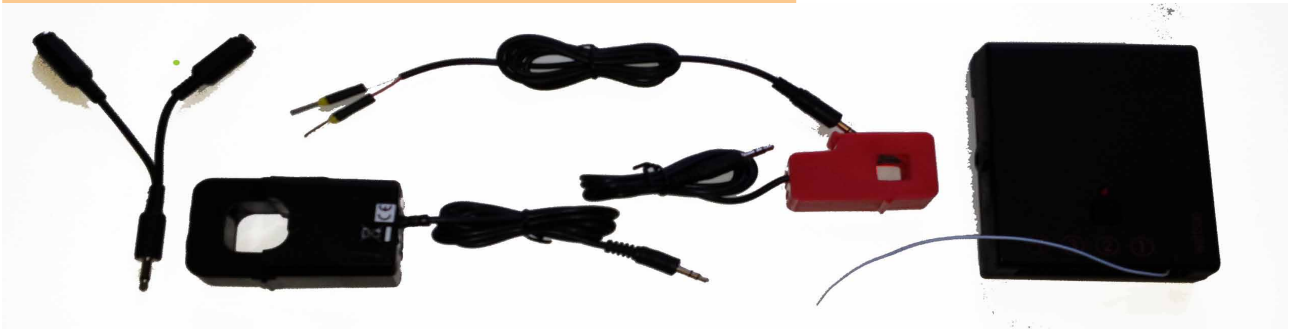
Wattson Solar Plus with Henley Block/junction box.



Electrician's wiring diagram for distribution with Henley Block

# ACCESSORIES

Wattson Solar Plus offers a range of accessories to improve usability and reduce installation costs. Coupled with the outstanding functionality that Wattson delivers, these additional options make Wattson Solar Plus the only real choice for the installer committed to providing the best value solutions.



## Additional displays and transmitters

Wattson Solar Plus can work with multiple displays and multiple transmitter. This simplifies installations where the consumption meter and generation meter are some distance apart. The Wattson Solar Plus comes with one TX for Wattson transmitter, but extras are available.

## TXact

TXact is a more precise sensor and transmitter which can be simply wired into the generation meter, providing a match for the generation reading.

## Y-cable Kit

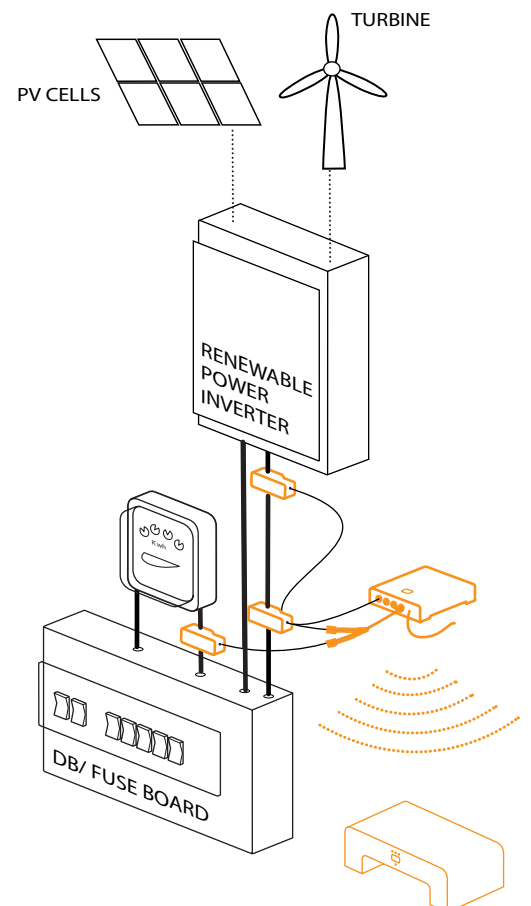
The Y-cable Kit is available to simplify the installation of the Wattson Solar Plus. This avoids the need for an installer to fit a Henley Block in order to correctly measure the electricity usage in conjunction with electricity generation.

## 3m Extension Lead

Where extra distance is required between the sensor and the transmitter then the 3m extension cables may be required, or for larger distances a TX for Wattson transmitter.

## WattsonXL

The WattsonXL takes care of heavy-duty three-phase installations and is suitable for businesses with higher energy consumption. It is suitable for buildings using up to 46kW or 200Amp per phase.



Wattson Solar Plus with Y-cable.

# COMING SOON, WATTSON ANYWHERE

## Wattson Anywhere GPRS/Wifi/Inside

Wattson Anywhere provides energy consumption/generated data to the 'cloud'. This will allow the following benefits and features:

### For the Installer - Wattson Anywhere Professional

- Real time data visualisation of install base
- Automatically generated alerts, including SMS alerts
- Allows value add maintenance contracts for installers, with proactive call-outs based on alerts.
- Strengthens ongoing relationship between installer and customer



### For the Customer - Wattson Anywhere GPRS/Wifi/Inside

- Online tracking of energy used and generated
- Realtime energy information on iPhone and android apps
- Analysis tools for identifying where energy wastage can be reduced, increasing cost savings
- Community allowing users to compare results and equipment

### Sunny Now

Sunny Now is a new range of products which can automatically manage energy consumption to optimise usage of generated power. This allows users to maximise the benefits and financial return from a Solar PV system.



Your Wattson Solar Plus information provided by: